

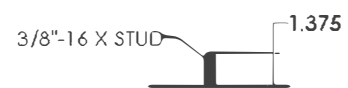
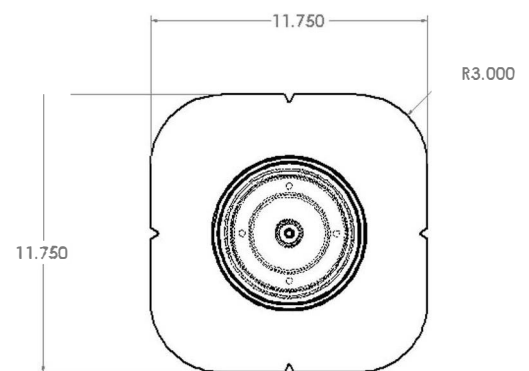
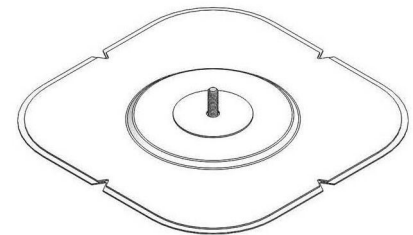
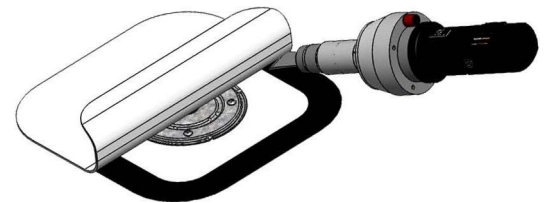
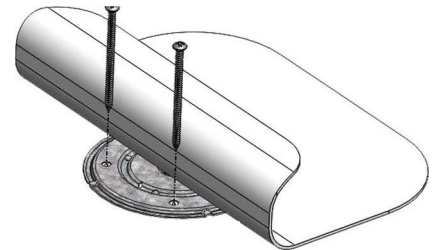
Product Data Sheet: U-Anchor 2400™

Provides a positive attachment of the U-Anchor 2400 for mechanically attached or fully adhered TPO, PVC and KEE Single Ply Roof Membranes

Product Description:

The **U-Anchor 2400** is a lightweight rooftop attachment system consisting of a U-Anchor Plate with a 3/8"-16 x 1 3/8" tall stainless steel stud. The cover is factory sealed on top of the plate. The assembly is attached to the roof with approved fasteners. The U-Anchor 2400 provides a positive, watertight, manufacturer accepted attachment for mechanically attached and fully adhered TPO, PVC, and KEE single ply membranes. The U-Anchor 2400 offers an effective expansion joint at each rooftop attachment point and minimizes stress to roof components.

The product with 1000 uses!



Advantages:

- * Lightweight: 8oz. (227g) Weight varies dependent upon membrane.
- * Installs quickly, approximate rate of 12 per man hour.
- * Installs on any surface from flat to vertical.

Packaging:

Units sold individually

Full box quantities: 10 units

Attachment:

The U-Anchor 2400 is attached by fastening through the roofing assembly into the structural decking with 2-8 approved fasteners. The membrane cover is then hot air welded around the perimeter to the roof membrane.

Testing, Approvals and Listings:

The U-Anchor 2400 was tested in accordance with: ASCE 7-05 ASTM E330-02 (2010) TAS 117B. Test reports can be requested on-line or through your distributor.

Warranty:

10 year standard material warranty
Up to 20 year material warranty available

 Anchor Products™

P.O. Box 1551
Colleyville, TX 76034
Info@anchorp.com

888-575-2131
www.anchorp.com



Patent: Search "Plate"
at www.Vmarked.com