

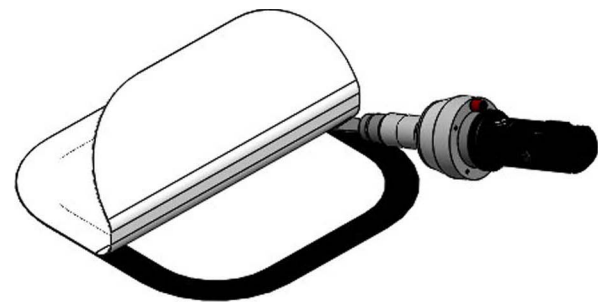
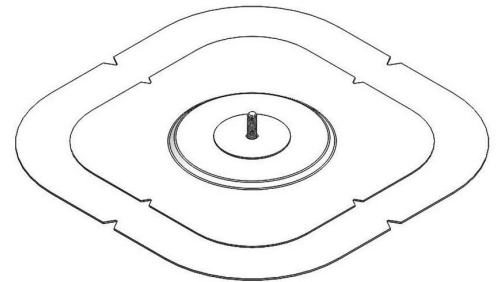
# Product Data Sheet: U-Anchor 2000 TPO™

Provides a positive attachment of the U-Anchor 2000 for fully adhered TPO Single Ply Roof Membranes

## Product Description:

The **U-Anchor 2000 TPO** is a lightweight rooftop attachment system consisting of a base sheet of thermoplastic membrane and a U-Anchor Plate with a 3/8"-16 x 1-3/8" center stud. The plate is factory welded to the base target and a thermoplastic cover layer is applied over the plate and onto the base target, encapsulating the plate. The U-Anchor 2000 provides a positive, watertight, manufacturer accepted attachment for mechanically attached and fully adhered TPO single ply membranes. The U-Anchor 2000 offers an effective expansion joint at each rooftop attachment point and minimizes stress to roof components.

*The product with 1000 uses!*



## Advantages:

- \* Lightweight: 8 oz (227 g) Weight varies depending upon membrane
- \* Non-penetrating
- \* Installs quickly, approximate rate of 10-12 per man hour.
- \* Installs on any thermoplastic surface from flat to vertical.

## Packaging:

Units sold individually

Full box quantities: 10 units

## Attachment:

The U-Anchor 2000 TPO is attached to fully adhered roof membrane by hot air welding around the perimeter edge consistent with roof manufacturer's hot air welding specifications.

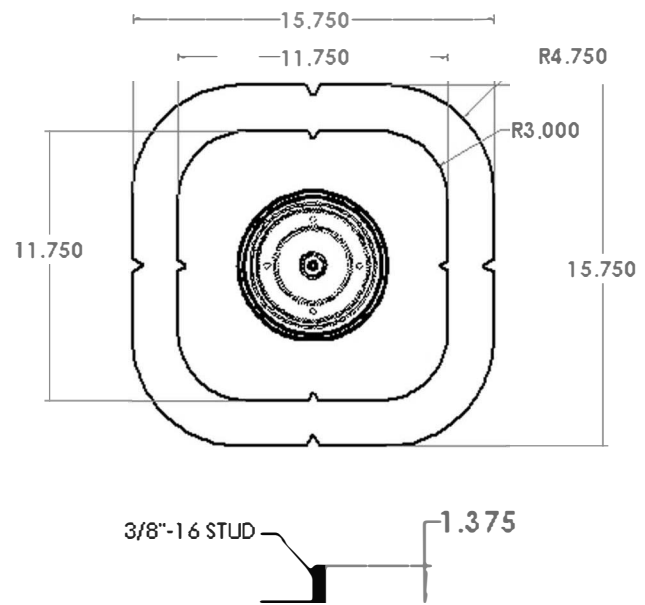
## Testing, Approvals and Listings:

The U-Anchor 2000 was tested in accordance with: ASCE 7-05 ASTM E330-02 (2010) TAS 117B. Test reports can be requested on-line or through your distributor.

## Warranty:

10 year standard material warranty

Up to 20 year material warranty available



 Anchor Products™

P.O. Box 1551  
Colleyville, TX 76034  
Info@anchorp.com

888-575-2131  
www.anchorp.com



Patent: Search "Plate"  
at [www.Vmarked.com](http://www.Vmarked.com)