

# Product Data Sheet: U-Anchor 2000 PVC with Membrane Attachment Ring-2™

Provides a positive attachment of the U-Anchor 2000 for mechanically attached or fully adhered PVC Single Ply Roof Membranes

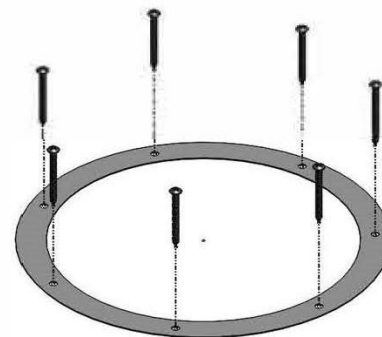
## Product Description:

The **U-Anchor 2000 PVC w/ Ring** is a lightweight rooftop attachment system consisting of a base sheet of thermoplastic membrane, a U-Anchor Plate with a 3/8"-16 x 1 3/8" tall stainless steel stud, and a membrane attachment ring. The plate is factory welded to the base target and a thermoplastic cover layer is applied over the plate and onto the base target, encapsulating the plate. The U-Anchor 2000 provides a positive, watertight, manufacturer accepted attachment for mechanically attached and fully adhered PVC single ply membranes. The U-Anchor 2000 offers an effective expansion joint at each rooftop attachment point and minimizes stress to roof components.

*The product with 1000 uses!*

## Advantages:

- \* Lightweight: 24oz (680 grams)
- \* Installs quickly, approximate rate of 12 per man hour
- \* Follows traditional thermoplastic membrane installation methods
- \* Accepted by roofing manufacturers

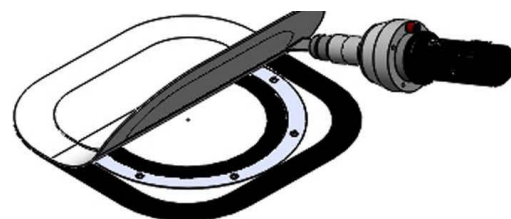


## Packaging:

The U-Anchor 2000 PVC and Membrane Attachment Ring-2 are sold as a combined unit including a U-Anchor 2000 PVC and a Membrane Ring -2.

Units sold individually

Full box quantities: 10 units



## Attachment:

The Membrane Attachment Ring-2 is secured over the roof membrane using up to 7 approved fasteners. The U-Anchor 2000 PVC is then positioned over the Membrane Attachment Ring-2 and hot air welded around the inside diameter of the ring and again around the outside perimeter of the U-Anchor 2000 target, in accordance with membrane manufacturer instructions.

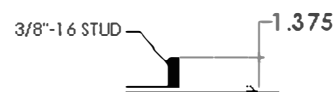
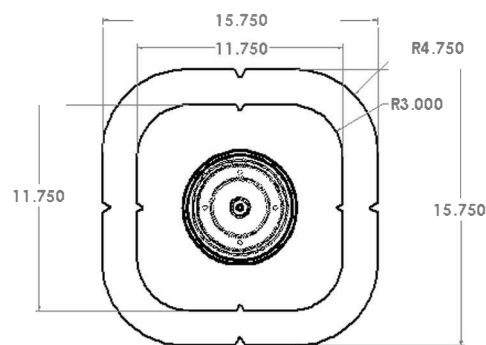
## Testing, Approvals and Listings:

The U-Anchor 2000 with Membrane Attachment Ring was tested in accordance with ASCE 7-05 ASTM E330-2 (2010) TAS 1178. Test reports can be requested on-line or through your distributor.

## Warranty:

10 year standard material warranty

Up to 20 year material warranty available



 Anchor Products™

P.O. Box 1551  
Colleyville, TX 76034  
Info@anchorp.com

888-575-2131  
www.anchorp.com

MADE IN THE  


Patent: Search "Plate"  
at www.Vmarked.com