

Product Data Sheet: U-Anchor 2000 KEE with Membrane Attachment Ring-2™

Provides a positive attachment of the U-Anchor 2000 for mechanically attached or fully adhered KEE Single Ply Roof Membranes

Product Description:

The **U-Anchor 2000 KEE w/ Ring** is a lightweight rooftop attachment system consisting of a base sheet of thermoplastic membrane, a U-Anchor Plate with a 3/8"-16 x 1 3/8" tall stainless steel stud, and a membrane attachment ring. The plate is factory welded to the base target and a thermoplastic cover layer is applied over the plate and onto the base target, encapsulating the plate. The U-Anchor 2000 provides a positive, watertight, manufacturer accepted attachment for mechanically attached and fully adhered KEE single ply membranes. The U-Anchor 2000 offers an effective expansion joint at each rooftop attachment point and minimizes stress to roof components.

The product with 1000 uses!

Advantages:

- * Lightweight: 24oz (680 grams)
- * Installs quickly, approximate rate of 12 per man hour
- * Follows traditional thermoplastic membrane installation methods
- * Accepted by roofing manufacturers

Packaging:

The U-Anchor 2000 KEE and Membrane Attachment Ring-2 are sold as a combined unit including a U-Anchor 2000 KEE and a Membrane Ring-2.

Units sold individually

Full box quantities: 10 units

Attachment:

The Membrane Attachment Ring-2 is secured over the roof membrane using up to 7 approved fasteners. The U-Anchor 2000 KEE is then positioned over the Membrane Attachment Ring-2 and hot air welded around the inside diameter of the ring and again around the outside perimeter of the U-Anchor 2000 target, in accordance with membrane manufacturer instructions.

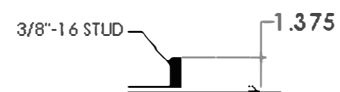
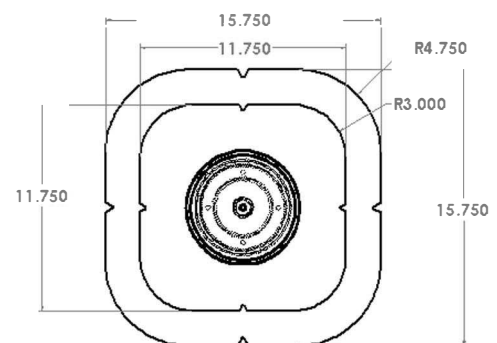
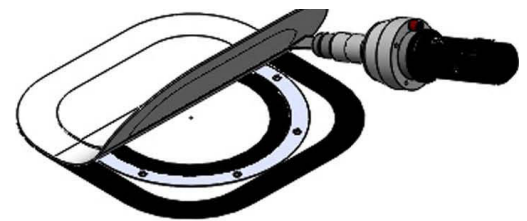
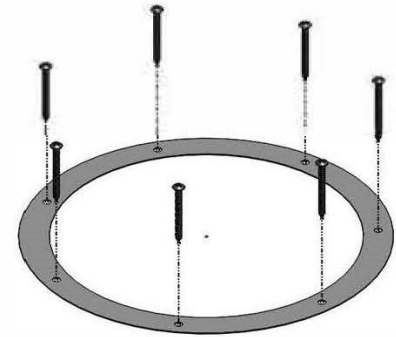
Testing, Approvals and Listings:

The U-Anchor 2000 with Membrane Attachment Ring was tested in accordance with ASCE 7-05 ASTM E330-2 (2010) TAS 1178. Test reports can be requested on-line or through your distributor.

Warranty:

10 year standard material warranty

Up to 20 year material warranty available



 Anchor Products™

P.O. Box 1551
Colleyville, TX 76034
Info@anchorp.com

888-575-2131
www.anchorp.com



Patent: Search "Plate"
at www.Vmarked.com