

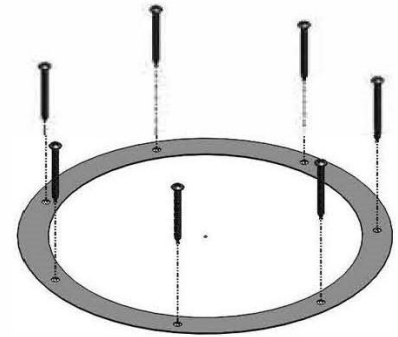
# Product Data Sheet: U-Anchor 2000 EPDM with Membrane Attachment Ring-2™

Provides a positive attachment of the U-Anchor 2000 EPDM for ballasted, mechanically attached, or fully adhered EPDM Roof Membranes

## Product Description:

The **U-Anchor 2000 EPDM w/ Ring** is a lightweight rooftop attachment system consisting of a U-Anchor Plate with a 3/8"-16 x 1 3/8" tall stainless steel stud and a membrane attachment ring. The U-Anchor 2000 EPDM provides a positive, watertight, manufacturer accepted attachment for ballasted, mechanically attached, and fully adhered EPDM roof membranes. The U-Anchor 2000 EPDM offers an effective expansion joint at each rooftop attachment point and minimizes stress to roof components.

*The product with 1000 uses!*



## Advantages:

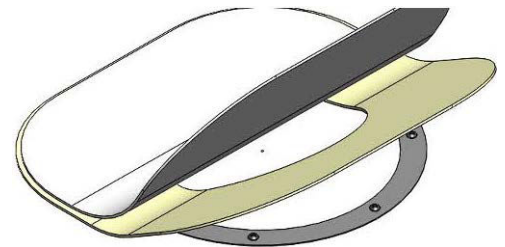
- \* Lightweight: 24 oz (680 grams)
- \* Installs quickly, approximate rate of 12 per man hour
- \* Follows traditional EPDM installation methods
- \* Accepted by EPDM roof manufacturers

## Packaging:

The U-Anchor 2000 EPDM and Membrane Attachment Ring-2 are sold as a combined unit including a U-Anchor 2000 EPDM, a Membrane Ring -2, and the U-Anchor 2000 EPDM Double Sided Adhesive.

Units sold individually

Full box quantities: 10 units



## Attachment:

The U-Anchor 2000 EPDM and Membrane Attachment Ring-2 are attached by securing the Membrane Attachment Ring-2 using up to 7 approved fasteners. The U-Anchor 2000 EPDM must be primed and adhered to a primed roof membrane over the Membrane Attachment Ring-2 using the die cut Double Sided Adhesive and consistent with traditional EPDM installation methods.

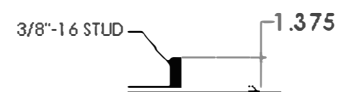
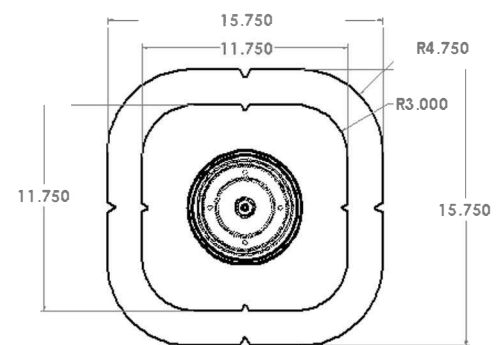
## Testing, Approvals and Listings:

The U-Anchor 2000 EPDM with Membrane Attachment Ring was tested in accordance with ASCE 7-05 ASTM E330-2 (2010) TAS 1178. Test reports can be requested on-line or through your distributor.

## Warranty:

10 year standard material warranty

Up to 20 year material warranty available



 Anchor Products™

P.O. Box 1551  
Colleyville, TX 76034  
Info@anchorp.com

888-575-2131  
www.anchorp.com

MADE IN THE  


Patent: Search "Plate"  
at www.Vmarked.com