

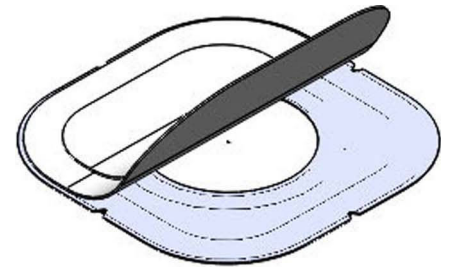
Product Data Sheet: U-Anchor 2000 EPDM™

Provides a positive attachment of the U-Anchor 2000 EPDM for fully adhered EPDM Roof Membranes

Product Description:

The U-Anchor **2000 EPDM** is a lightweight rooftop attachment system consisting of a U-Anchor Plate with a 3/8"-16 x 1 3/8" tall stainless steel stud. The U-Anchor 2000 EPDM provides a positive, watertight, manufacturer accepted attachment for mechanically attached or fully adhered EPDM roof membranes. The U-Anchor 2000 EPDM offers an effective expansion joint at each rooftop attachment point and minimizes stress to roof components.

The product with 1000 uses!



Advantages:

- * Lightweight: 16 oz (454 grams)
- * Installs quickly, approximate rate of 12 per man hour
- * Follows traditional EPDM installation methods
- * Accepted by EPDM roof manufacturers

Packaging:

The U-Anchor 2000 EPDM is sold as a combined unit, including a U-Anchor 2000 EPDM and the U-Anchor 2000 EPDM Double Sided Adhesive.

Units sold individually.

Full box quantities: 10 units

Attachment:

After cleaning and priming the roof membrane and the underside of the U-Anchor 2000 EPDM target, the U-Anchor 2000 EPDM is then adhered using the die cut Double Sided Adhesive in accordance with traditional EPDM installation methods.

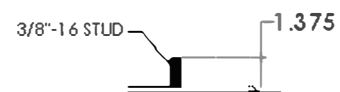
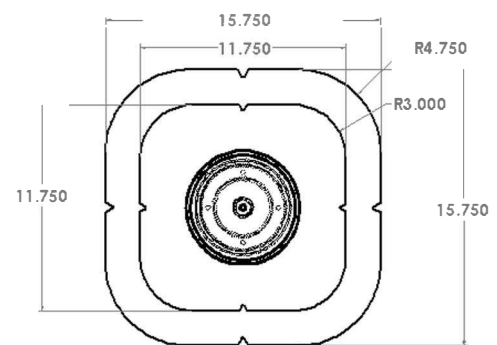
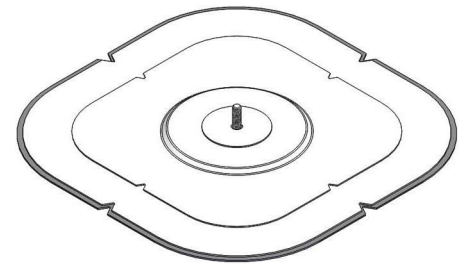
Testing, Approvals and Listings:

The U-Anchor 2000 EPDM was tested in accordance with ASCE 7-05 ASTM E330-2 (2010) TAS 1178. Test reports can be requested on-line or through your distributor.

Warranty:

10 year standard material warranty

Up to 20 year material warranty available



 Anchor Products™

P.O. Box 1551
Colleyville, TX 76034
Info@anchorp.com

888-575-2131
www.anchorp.com

MADE IN THE


Patent: Search "Plate"
at www.Vmarked.com